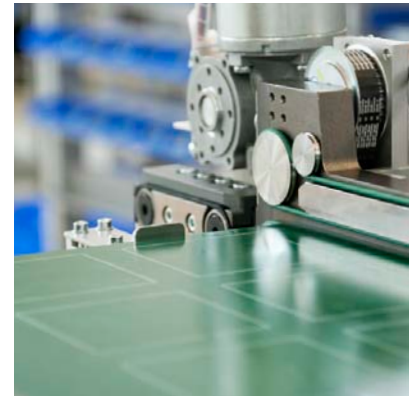
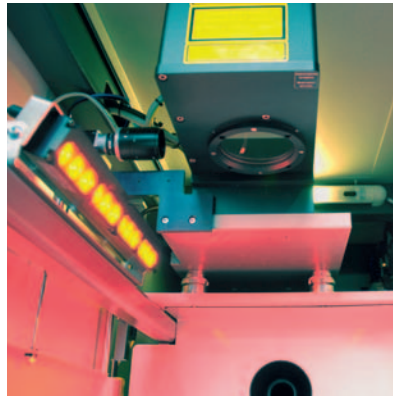
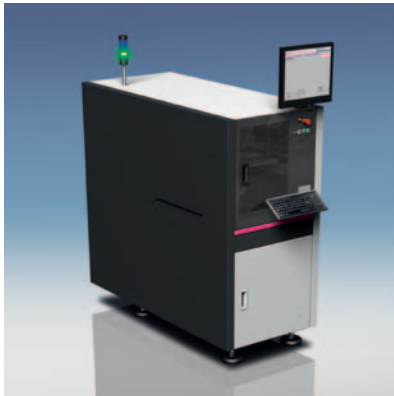


INSIGNUM Series – Power and Precision in Marking

Offline/Inline Laser Marking System

INSIGNUM Laser

INSIGNUM 2000 Laser



Description

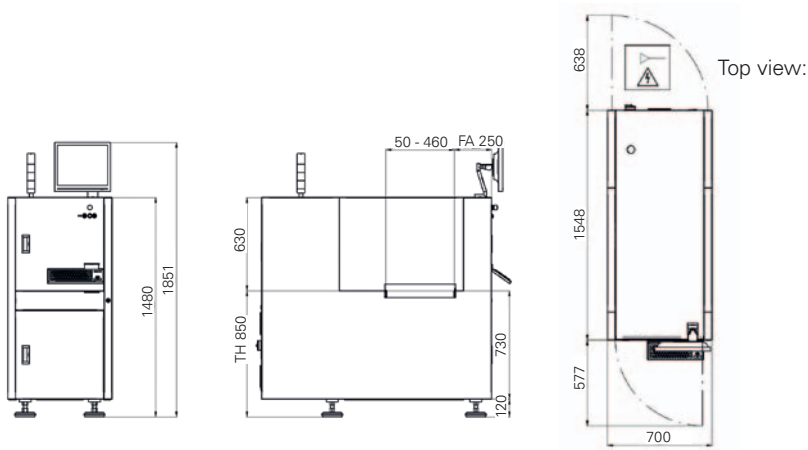
The INSIGNUM 2000 Laser is an inline and offline Marking System for direct marking of solder resist on PCBs. The laser assembly is installed in a fixed position above the transport system. The PCB to be marked is taken over onto the transport system and moved to the marking position. Due to a special mirror configuration in the galvo-head (3 axis system), it is possible to have a marking area of up to 350 x 350 mm without using any mechanically driven axes.

Features

- _ Marking of multi-up panels
- _ Large marking area
- _ Short cycle times
- _ Low maintenance

Options

- _ Camera coupling via deflection unit
- _ Integrated flip-station
- _ Loader and unloader controlled by the INSIGNUM 2000 Laser
- _ Manual loading via feed conveyor
- _ Side clamp
- _ Fibre laser
- _ Exhaust system



INSIGNUM 2000 Laser

Machine configuration

Transport height	850 mm ± 50 mm
Max. transport width	460 mm
Interface	Siemens, SMEMA
Transfer direction	From left to right
Operating side	Front of the machine
Fixed rail	Front of the machine

Panel dimensions

Panel length	70 to 460 mm
Panel width	50 to 460 mm
Panel thickness	0.8 to 3.0 mm
Panel weight	Up to 3 kg
Component height	Up to 40 mm
Coating	Solder Resist (other coatings upon request)

Installation requirements

Power supply	230V/115V, 50/60 Hz, ± 10 %
Power supply system	L1 + N + PE
Power consumption	0.69 kW
Air supply	6 bar
Air consumption	< 10 NI/min

Machine description

Length × width × height	700 × 1550 × 1480 mm
Max laser window	350 × 350 mm
Codes	Data Matrix ECC200 (Cellsize ≥ 0.195 mm (7.5 mil dots))
Repeatability	± 0.25 mm
Color	Basic Light/ RAL 7015/ RAL 4010
Noise Level	< 75 dB

Upgrades

Machine networking via IC Net

www.asys-group.com

ASYS Automatisierungssysteme GmbH
Benzstraße 10,
89160 Dornstadt, Germany
Tel (+49) 7348 9855 0
Fax (+49) 7348 9855 91
info@asys.de

ASYS Group Asia Pte. Ltd.
30 Shaw Road #01-02/03
Singapore 367957
Tel (+65) 6280 8887
Fax (+65) 6858 5005
sales@asysgroup-asia.com

ASYS Group China Co., Ltd.
Room 1707, Tower 1
Kerry Everbright City
218 Tian Mu Xi Road
Shanghai 200070, P.R. China
Tel (+1) 770 246 9706
Fax (+1) 770 246 9866
info@asys-group.com

ASYS Group Americas Inc.
140 Satellite Boulevard NE
Suite B1, Suwanee
GA 30024 USA
Tel (+1) 770 246 9706
Fax (+1) 770 246 9866
info@asys-group.com

Änderungen vorbehalten.

Alle aufgeführten Informationen sind allgemeine Beschreibungen und Leistungsmerkmale, die im konkreten Anwendungsfall nicht immer in dargestellter Form zutreffen bzw. die sich durch Weiterentwicklung der Produkte ändern können. Verbindlich sind lediglich die im Vertrag vereinbarten Leistungsbeschreibungen.

Printed in Germany

**ASYS
GROUP**